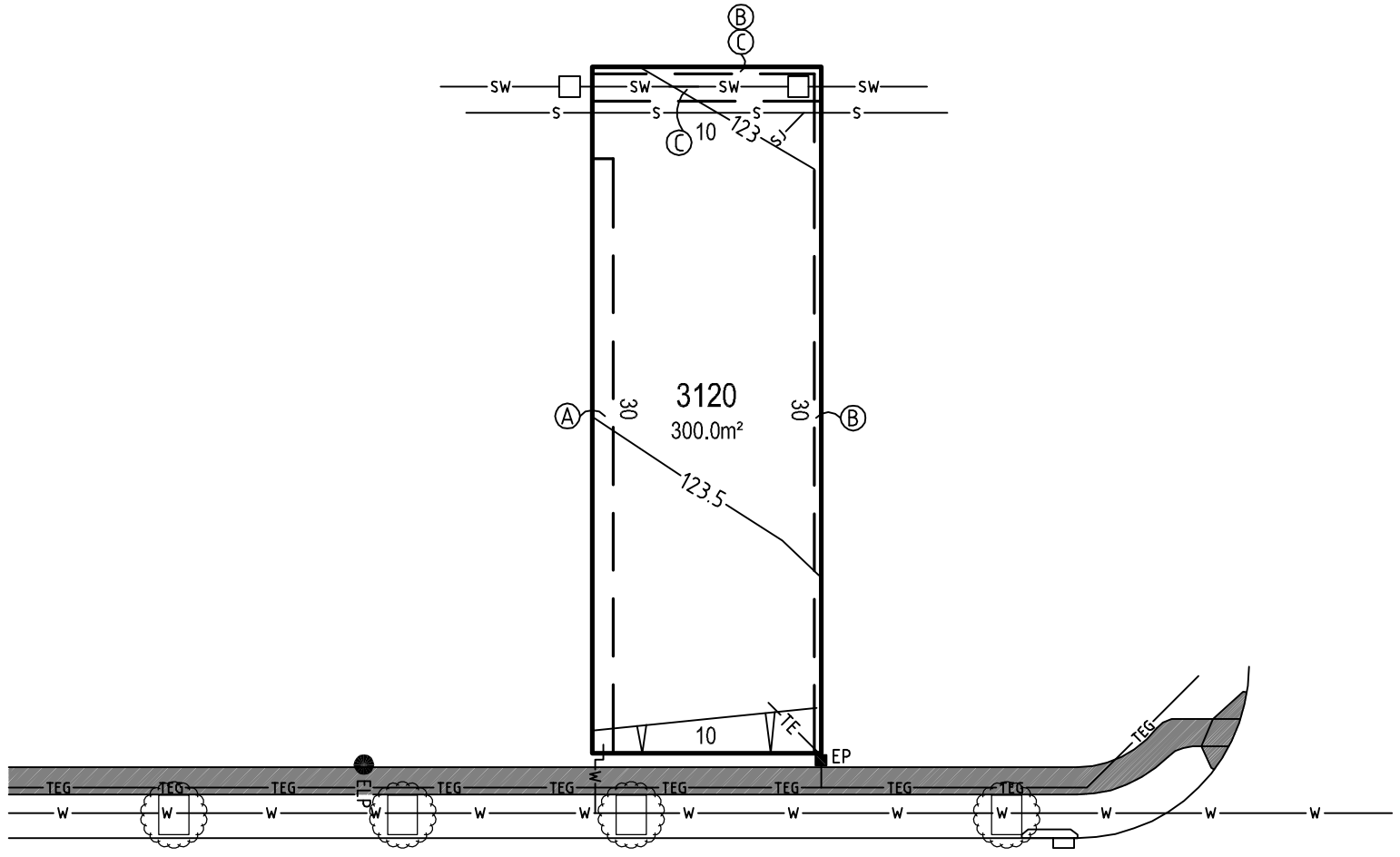
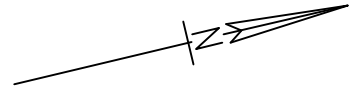




## LOT 3120



WALLARAH

CIRCUIT

### LEGEND

- TEG— ELECTRICITY, TELECOMMUNICATIONS & GAS
- TE— TELECOMMUNICATIONS & ELECTRICITY
- S— SEWER    —SJ— SEWER JUNCTION    ○ MS— MAINTENANCE SHAFT    ○ SAC— MANHOLE
- W— WATER
- SW— STORMWATER     GRATED PIT & LINTEL
- 4.7— CONTOUR    +47.00 POINT HEIGHT     BATTER AT 1:6 (V:H) GRADE
- ELP— ELECTRIC LIGHT POLE    EP■ ELECTRICAL PILLAR



- Ⓐ EASEMENT FOR SUPPORT, MAINTENANCE & REPAIR 0.9 WIDE
- Ⓑ EASEMENT FOR SUPPORT 0.3 WIDE
- Ⓒ EASEMENT TO DRAIN WATER 1.5 WIDE

 COUNCIL STREET TREE SUBJECT TO LANDSCAPING DESIGN & COUNCIL APPROVAL TO BE LOCATED FOLLOWING DRIVEWAY CONSTRUCTION

The material herein is intended as a guide only. No liability for negligence or otherwise is assumed by Dart West, its principals or its servants or its agents. No material contained herein shall form the basis of or be part of any agreement and no warranty is given or implied as to the accuracy of the whole or any part of the material. Prospective buyers should not rely solely on this material but should make their own enquiries at the Gregory Hills Land Sales and Information Centre or contact us on (02) 46485511.